



CS20 Series

21 - 24.5 HP



CS20 SERIES

Small in stature, massive in power.

Ergonomically designed to keep you working in comfort until the dirty work is done. Powerful, but compact for your jobs of all sizes.

KIOTI Diesel Engine

Tilt Steering Wheel (HST model)

Standard Stationary PTO

Ergonomic Operator System

Hydraulic PTO

All Steel Platform



BUILT FOR COMFORT, USER FRIENDLY, HARD ON WORK

Distinctive Hood Design

The streamlined hood design improves the visibility for the operator. A vertical opening hood allows for easy access to the air filter, fluid service and inspection locations, fuse box and electrical components.



Illuminated Dashboard

The dashboard illuminates when the engine is started. The digital gauge package includes tachometer, fuel and temperature gauges along with a low fuel warning lamp.

Power Steering with Tilt Wheel (HST model)

Power steering makes it easy to take tight, repetitive turns. The standard tilt steering wheel ensures all operators can reach and turn the wheel comfortably.



Twin HST Pedals

Twin HST pedals allow easy and quick forward and reverse with smooth engagement, acceleration and deceleration. Dual pedals provide easier use which reduces operator fatigue during long hours of work and when doing repetitive tasks.

- Stationary PTO
- Air-Cylinder Fordable ROPS
- Useful cup holder
- Twin brake pedal (Mid ROPS model)



Redesigned Operator Station and All Steel Platform

With an all-steel platform and rubber deck mat, the redesigned CS Series operator station allows the operator to easily reach all controls, making it both comfortable and user-friendly.



Standard Tool Box

New CS20 series is equipped with spacious tool box.



Hydraulic PTO

Hydraulic PTO clutch offers great durability and ease of use. Simply rotate the knob to engage or disengage the PTO.



Cruise Control (HST)

Cruise control (Optional) allow operators to set and maintain desired speed.



Mid PTO

The mid PTO (2,200 rpm) provides the ability to attach and operate implements such as the KIOTI mid-mount mower.



Joystick Valve (HST)

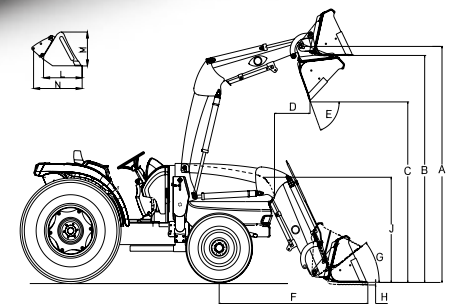
The CS 20 joystick valve gives operators convenient, comfortable and precise control over the loader to lift, lower and carry loads anywhere you desire regardless of experience or skill level.



KIOTI Diesel Engine

Fully designed and created by KIOTI, the 21 hp (15.6 kW) - 24.5 hp (18.3 kW) premium, water-cooled diesel engines have large power output, yet low fuel consumption.

**EASY TO OPERATE.
EASY TO MAINTAIN.
HARD TO BEAT. CS20 SERIES**



Front End Loader

| MODEL | KL115A | KL115C |
|--|--------------------------|------------|
| Tractor model | CS2220U-EU CS2520U-EU | CS2520H-EU |
| A Maximum Lift Height | 1,842mm | |
| B Clearance with Attachment Level | 1,682mm | |
| C Clearance with Attachment Dumped | 1,386mm | |
| D Reach at Maximum Lift Height(45°) | 572mm | |
| E Maximum Dump Angle | 73.8° | |
| F Reach with Attachment on Ground | 1,331mm | |
| G Attachment Rollback Angle | 35° | |
| H Digging Depth Below Grade | 64mm | |
| J Overall Height in Carry Position | 1,157mm | |
| L Depth of Attachment (to back of inner shell) | 374mm | |
| M Height of Attachment | 452mm | |
| N Depth of Attachment (to pivot pin) | 485mm | |
| Lift Capacity to Full Height at Pivot Pins | 527kgf | |
| Breakout Force at Pivot Pins | 875kgf | |
| Lift Cylinder | ø45mm×550mm | |
| Bucket Cylinder | ø45mm×570mm | |
| Bucket Width | 1,220mm | |
| Bucket Weight | 45kg | |
| Approx. Weight (without Bucket) | 164kg | |
| Bucket Capacity | 0.17m³(0.12m³) | |

Mid-Mount Mower

| MODEL | SM2410 | SM2420 |
|----------------------|-------------------------|---------------------------|
| Discharge Type | Side Discharge Side | |
| Cutting Width | 60 in. (1,524 mm) | 54 in. (1,364 mm) |
| Cutting Height | 1-4 in. (25.4-101.6 mm) | .8-3.8 in. (20.3-96.5 mm) |
| Transport Height | 6 in. (152.4 mm) | |
| Gear Type | Spiral Bevel | |
| Number of Blades | 3 | |
| Blade Spindle Speed | 2,888 rpm | |
| Blade Tip Velocity | 78.2 m/s | 71.1 m/s |
| Blade Length | 20.4 in. (517 mm) | 18.5 in. (470 mm) |
| Deck Thickness | 0.13 in. (3.2 mm) | |
| Total Width | 73.4 in. (1,865 mm) | 69.3 in. (1,760 mm) |
| Total Length | 37.9 in. (962 mm) | 35.7 in. (908 mm) |
| Total Height | 10.8 in. (273 mm) | 10.5 in. (267 mm) |
| Drive Type | U-Joint and V-Belt | |
| Lifting Type | 3 Point Hitch Links | |
| Loader Compatibility | Yes | |

* Specifications and design are subject to change without notice.

* Specifications and design are subject to change without notice.

**KIOTI SUB-COMPACT
TRACTOR**

SPECIFICATIONS



ISO 9001
NO.954596



ISO 14001
NO.771475



OHSAS 18001
NO:K033008

| MODEL | CS2520H | | CS2220(N)U | CS2520(N)U |
|---|-------------|-------------------|------------------------------|------------------------------|
| | HST | | Manual | |
| ENGINE | | | | |
| Manufacturer | Daedong | | Daedong | Daedong |
| Model | 3C100LWH-E2 | | 3C100LWM-E1 | 3C100LWM-E1 |
| Engine Gross Power | HP | 24.5 | 21 | 24.5 |
| Rated Revolution | rpm | 3200 | 3200 | 3200 |
| No. of cylinders | | 3 | 3 | 3 |
| Displacement | cc | 1007 | 1007 | 1007 |
| CAPACITY | | | | |
| Fuel Tank | ℓ | 25.5 | 23.5 | 23.5 |
| PTO | | | | |
| | | Independent | Transmission | Transmission |
| Rear PTO | rpm | 540 | 540 | 540 |
| Mid PTO | rpm | 2200 | 2200(N/A for Mid ROPS model) | 2200(N/A for Mid ROPS model) |
| HYDRAULIC | | | | |
| 3 Point Lift Control Type | | Inching | Inching | Inching |
| Implement pump | ℓ/min | 18.7 | 18.7 | 18.7 |
| Power steering pump | ℓ/min | 7.7 | 7 | 7 |
| Total Hydraulic Flow | ℓ/min | 26.4 | 25.7 | 25.7 |
| 3-Point hitch type | | Category I | Category I | Category I |
| Lower Link type | | BALL | BALL | BALL |
| Lift capacity at lift point | kg.f | 715 | 715 | 715 |
| Lift capacity at 24 in.behind lift point | kg.f | 318 | 318 | 318 |
| Drawbar type | | Bar | Bar | Bar |
| No. of Remote valves (Rear) | | STD. | Option(2ports) | STD. |
| DRIVE TRAIN | | | | |
| Transmission | | HST | MECH | MECH |
| Main gear shift x range gear shift | | Infinite, 2 range | 3F(1R)×2 range | 3F(1R)×2 range |
| No. of speeds | | - | 6F×2R | 6F×2R |
| Steering | | Power Steering | Power Steering | Power Steering |
| Brake type | | Wet disc type | Wet disc type | Wet disc type |
| Mechanical differential lock | | Rear Standard | Rear Standard | Rear Standard |
| Front wheel drive system | | Mechanical | Mechanical | Mechanical |
| TRAVELING SPEEDS | | | | |
| Forward | km/h | 0 ~ 15.4 | 1.13 ~ 19.32 | 1.13 ~ 19.32 |
| Reverse | km/h | 0 ~ 10.6 | 1.39 ~ 7.50 | 1.39 ~ 7.50 |
| DIMENSIONS | | | | |
| Overall length (incl. 3-pt hitch) | mm | 2523 | 2623 | 2623 |
| Overall width (minimum tread) | mm | 1168(IND.) | 1070(AG) | 1070(AG) |
| Overall height (with ROPS) | mm | 2280 | 2123(AG) | 2123(AG) |
| Overall height (with Field option Cabin w/o beacon) | mm | 1990 | - | - |
| Tread width Front 4wd | mm | 923(IND.) | 911(AG) | 911(AG) |
| Tread width Rear | mm | 864(IND.) | 869(AG) | 869(AG) |
| Wheelbase | mm | 1400 | 1500 | 1500 |
| Min. Ground Clearance | mm | 162 | 190(AG) | 190(AG) |
| Turning Radius (w/ brake) | mm | 2540 | 2526(AG) | 2526(AG) |
| Weight with ROPS | kg.f | 705 | 710 | 710 |
| Weight with Field option Cabin | kg.f | 875 | - | - |
| TIRE SIZE | | | | |
| AG. Tire | Front | - | 5-12 | 5-12 |
| | Rear | - | 8-16 | 8-16 |
| Turf Tire | Front | 18×8.5-10 R3 | 18×8.5-10 R3 | 18×8.5-10 R3 |
| | Rear | 26×12.00-12 R3 | 26×12.00-12 R3 | 26×12.00-12 R3 |
| Industrial Tire | Front | 18×8.5-10 R4 | 18×8.5-10 R4 | 18×8.5-10 R4 |
| | Rear | 26×12.00-12 R4 | 26×12.00-12 R4 | 26×12.00-12 R4 |

* NOTE : Specifications and design are subject to change without notice.

Standard Equipment

- Rear PTO
- Mid PTO (not applicable for Mid ROPS model)
- Rear View Mirror
- Parking Brake
- Horn
- 7 Pin Socket
- Signal Lamp
- Power Socket
- Front Hitch
- PTO Cover
- Cup Holder
- Remote Hydraulic Valve (for 25HP)
- Tilt Steering (for HST model)
- Twin HST Pedal (for HST model)
- Twin Brake Pedal (for Mid ROPS model)

Optional Equipment

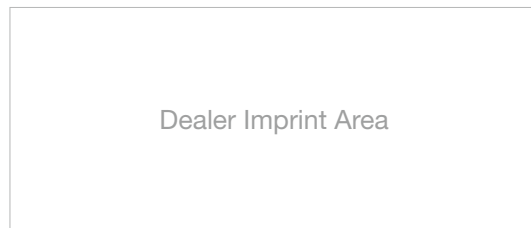
- Front Weights
- Rear Working Lights
- HST Cruise (for HST model)
- Sun Canopy
- Hydraulic Filter Guard
- Joystick Valve (for HST model)
- 3rd Function Joystick (for HST model)
- Remote Hydraulic Valve (for 22HP)
- Field Option Cabin (for HST model)

Available KIOTI Attachment

- Front End Loader
- Mid-Mount Mower



Daedong Kioti Europe B.V.
Koerilenstraat 2-6, 3199 LR, Maasvlakte
Rotterdam The Netherlands
Tel +31(0)181-35 30 24
Website www.kioti.eu



LIT-CS20-ALL1